



ACUTE[®]
LUXURY REDEFINED...

A New Era Of
luxury





Index

Floor Drains	09
Tiles Insert	23
Fix & Locking Drains	30
Flatcut Drains	43
Shower Drain Single Piece	57
Shower Drain Without Collar	67
Shower Drain Welding Type	77

WELCOME

Thank you for choosing **Acute**. We are thrilled to welcome you to our community! Whether you're here for our high-quality products, expert services, or innovative solutions, we are committed to deliver exceptional experiences every step of the way.

At **Acute**, we believe that excellence lies in the details. Guided by our core values of innovation, integrity, and customer satisfaction, we strive to deliver solutions that make a lasting impact.

Explore our range of offerings and discover how we can make a positive difference in your journey. We look forward to partner with you and building a lasting relationship based on trust, quality, and success.

brand

At Acute, we specialize in providing top-of-the-line bathroom drainage solutions. With years of expertise and a commitment to quality, we offer durable, efficient, and stylish products that make every bathroom experience smoother and safer. From simple fixes to complete installations, we've got your drainage needs covered.

2025

Technological Expansion

Invested in laser cutting and bending plant, significantly expanding our production capabilities and product range to meet evolving market demands.



2024

Formation of Acute Engineering

Launched Acute Engineering, a dedicated manufacturing unit to support our growing production requirements and enhance vertical integration.



2023

Participation in HBLF Exhibition

Continued our exhibition journey by participating in HBLF, further reinforcing our brand visibility and connecting with industry professionals.



2022

Industry Showcase at INDEX

a prestigious industry exhibition, strengthening our presence and showcasing our exclusive product portfolio.



2021

Establishment of Xycotic International Pvt. Ltd.

Ventured into the kitchenware sector by incorporating Xycotic International Pvt. Ltd., a trading company dedicated to premium kitchen products.



2020

Product Innovation

Successfully developed and launched our single-piece welding less shower drainers, offering improved durability, design, and water flow efficiency.



2019

Entry into Manufacturing

We expanded into the manufacturing of floor drains and bathroom accessories, combining quality and craftsmanship with modern engineering.



2018

Formation of Acute Industries

Acute Industries was established as a trading firm, marking the beginning of our journey in the sanitary and hardware segment.



Our Vision Ahead

By **2030**, we aim to become a leading multi-sector manufacturing group, known for innovation, precision, and reliability across sanitary, kitchenware and architectural solutions while maintaining the same integrity and customer-centric approach that has defined us since day one.

Process



RAW MATERIAL



PROCESSING



LASER CUTTING



PRESSING



BENDING



BUFFING



POLISHING



CHECKING



PACKAGING



SHIPPING

Our **Premium Water Drain System:** Efficiency Meets Durability

When it comes to managing water flow, **Acute's Premium Water Drain System** stands as the ultimate solution. Engineered for performance, reliability, and longevity, this top-of-the-line water drain system ensures optimal drainage no matter the environment. Whether you're looking to protect your property from flooding or simply manage water flow with ease, our product guarantees both efficiency and peace of mind.

Key Features:

- **Superior Durability:** Made with high-quality, corrosion-resistant Stainless Steel 304 & 316 materials, our water drain system is built to withstand the harshest weather conditions and last for years.
- **Innovative Design:** Featuring a streamlined design that integrates seamlessly into any surface, our drains prevent clogging, reduce water backup, and facilitate optimal drainage.
- **High Capacity:** Engineered to handle high volumes of water; making it perfect for residential, commercial or industrial use.
- **Eco-Friendly:** Designed with sustainability in mind; our product helps manage water flow efficiently without harming the environment.
- **Easy Installation:** With a user-friendly design, installation is a breeze. Whether you're a DIY enthusiast or hiring a professional, our product fits effortlessly into your existing infrastructure.

Why Choose **Acute** Water Drains?

- **Versatile Application:** From driveways, patios, and walkways to heavy-duty commercial settings, our water drains are designed to perform across a wide range of environments.
- **Maintenance-Free Performance:** Forget about frequent cleaning and repairs. Our system minimizes clogging and maintenance, keeping your property dry with minimal effort.





Mission

"Our Mission is to Deliver Precision-crafted Sanitation Products and Bathroom Accessories that Blends Durability, Functionality, and Modern Design. We are Committed to Exceptional Quality and Finish That Enhances Bathroom Spaces With Style and Reliability."



Vision

"To be a Leading **Multi-Category Manufacturer** in Sanitation and Hardware; Driven by **Innovation** and **Quality**."



Values

- **Built on Integrity**
We do what's right for our customers, our partners, and the industry we serve.
- **Precision in Every Detail**
We believe that true quality lies in the details, every edge, every finish, every fit.
- **Design That Works**
We merge sleek aesthetics with smart functionality to create accessories that enhance everyday living.
- **Future-Driven Innovation**
We embrace change, challenge norms, and lead with fresh ideas that shape tomorrow's designs



Goals

- **Expand Product Portfolio**
Launch innovative and design-forward bathroom accessories and sanitation products every year to meet evolving customer lifestyles and preferences.
- **Build a Strong Brand Presence**
Position our brand as a preferred choice across urban and semi-urban markets through digital reach, distribution expansion, and targeted campaigns.
- **Integrate Smart Automation**
Implement advanced automation in manufacturing and quality control to boost production efficiency, consistency, and scalability while reducing manual error.



MISSION
VISION
VALUES
GOALS

Drainage Perfection



Our Product Quality Assurance



Stainless Steel : International Grade Stainless Steel (AISI 304 & 316) For Best And Lasting Performance.



Rust Proof : Higher Grade Steel Are More Resistant To Rust And Corrosion In Constant Humid Conditions.



Quick Drain Flow : Designed To Increase Drain Efficiency Each Design Has Variable High Flow Rate To Drain Speedily.



Easy Installation : Precision Engineered For Easy Installation And All Essential Guidelines Provided.



Safety : Safety Is Key For Installation And Day-to-day Usage. All Sharp Edges Are Folded Inside & Tapered Outside.



Recyclable : Globally Compliant 100% Recyclable Material.



Easy Cleaning : Detachable / Openable Plate For Routine Cleaning And Maintenance.



Bugs Resistant : Anti-cockroach Trap Options Available To Control Generic Pests.



Export Quality : International Quality Standard Raw Material, Craftsmanship And Sizes To Cater To Global Market.



Custom Size : Customized Product Sizes And Quality Can Be Produced For Corporate, OEM Sourcing And Special Market Requirements.



FLOOR DRAINS



“
**Keep
the Flow
Natural.**”



AFTM - 01

Available Size: 125mm x 125mm | 150mm x 150mm



AFTB - 01



AFTG - 01



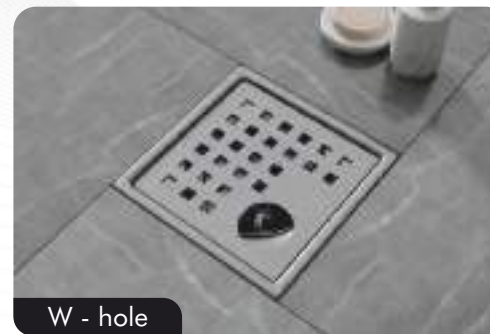
W - hole



AFTRG - 01



Available Size: 125mm x 125mm | 150mm x 150mm





AFTM - 03

Available Size: 125mm x 125mm | 150mm x 150mm



AFTB - 03



AFTG - 03



W - hole



AFTRG - 03



AFTM - 04

Available Size: 125mm x 125mm | 150mm x 150mm





AFTM - 05

Available Size: 125mm x 125mm | 150mm x 150mm



AFTB - 05



AFTG - 05



W - hole



AFTRG - 05

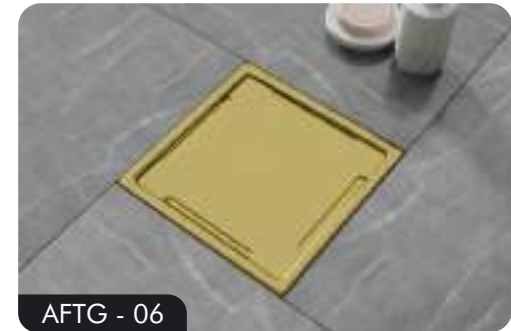


AFTM - 06

Available Size: 125mm x 125mm | 150mm x 150mm



AFTB - 06



AFTG - 06



W - hole



AFTRG - 06



AFTM - 07

Available Size: 125mm x 125mm | 150mm x 150mm



AFTB - 07



AFTG - 07



W - hole



AFTRG - 07



AFTM - 08

Available Size: 125mm x 125mm | 150mm x 150mm





AFTM - 09

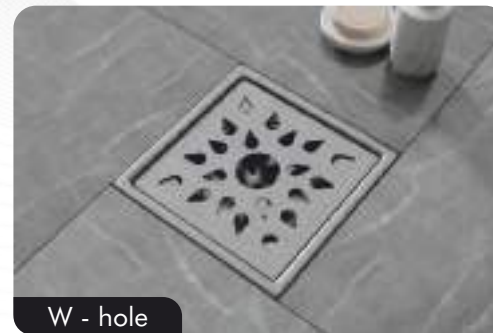
Available Size: 125mm x 125mm | 150mm x 150mm



AFTB - 09



AFTG - 09



W - hole



AFTRG - 09



AFTM - 10

Available Size: 125mm x 125mm | 150mm x 150mm



AFTB - 10



AFTG - 10



W - hole



AFTRG - 10



AFTM - 11

Available Size: 125mm x 125mm | 150mm x 150mm



AFTB - 11



AFTG - 11



W - hole



AFTRG - 11



AFTM - 12

Available Size: 125mm x 125mm | 150mm x 150mm



AFTB - 12



AFTG - 12



W - hole



AFTRG - 12

SPECIFICATIONS :

: Thickness :

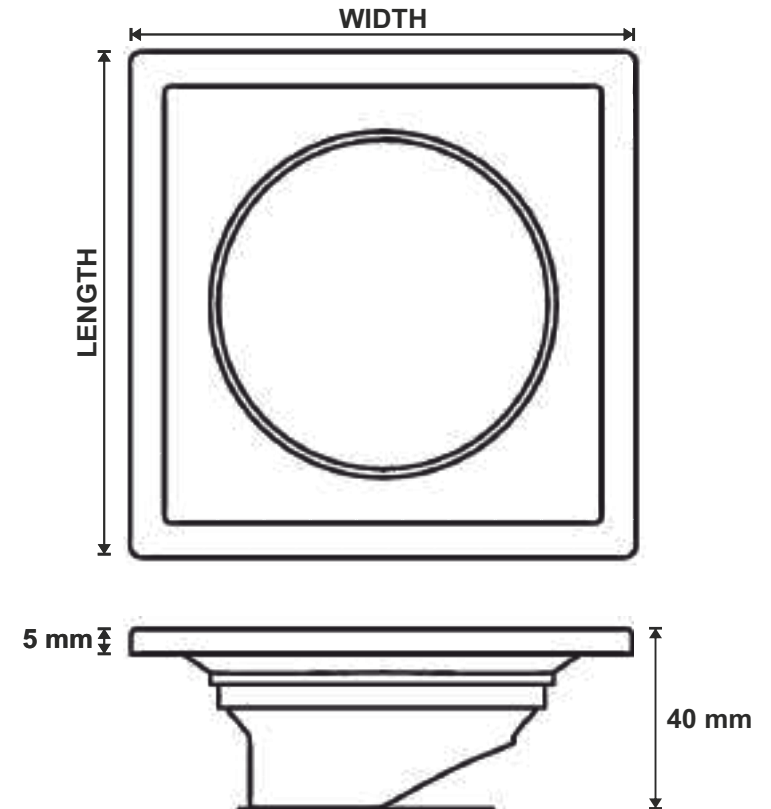
Base : 1.2mm | Plate : 1.5mm

: Flow Rate :

60-80 Liters / Minute

: Drainage direction :

Center



Size		Height	Collar Height	Outlet Dia.	Compatible Bowl
(L x W) mm	Inch	mm	mm	mm	mm
125 x 125	5 x 5	20	5	75	CT - 501
150 x 150	6 x 6	20	5	90	CT - 601 603



TILES INSERT



“**Built For**
Seamless Flow”



Available Size: 100mm x 100mm | 125mm x 125mm | 150mm x 150mm



Available Size: 100mm x 100mm | 125mm x 125mm | 150mm x 150mm



SPECIFICATIONS :

: Thickness :

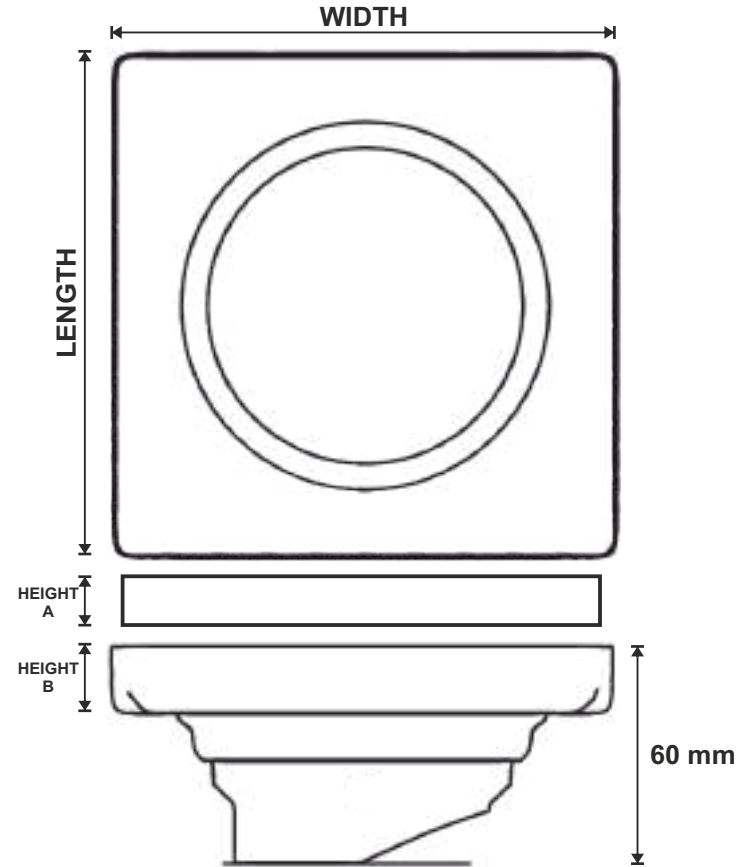
Base : 1mm | Plate : 1.5mm

: Flow Rate :

60-80 Liters / Minute

: Drainage direction :

Center



Size		Tile Insert		Marble Insert		Outlet Dia.	Compatible Bowl
(L x W) mm	Inch	Height (mm)		Height (mm)		mm	mm
		A	B	A	B		
100 x 100	4 x 4	14	25	19	32	45	CT - 401 404
125 x 125	5 x 5	14	25	19	32	75	CT - 501
150 x 150	6 x 6	14	25	19	32	90	CT - 601 603



ACDM - 21



ACDG - 21

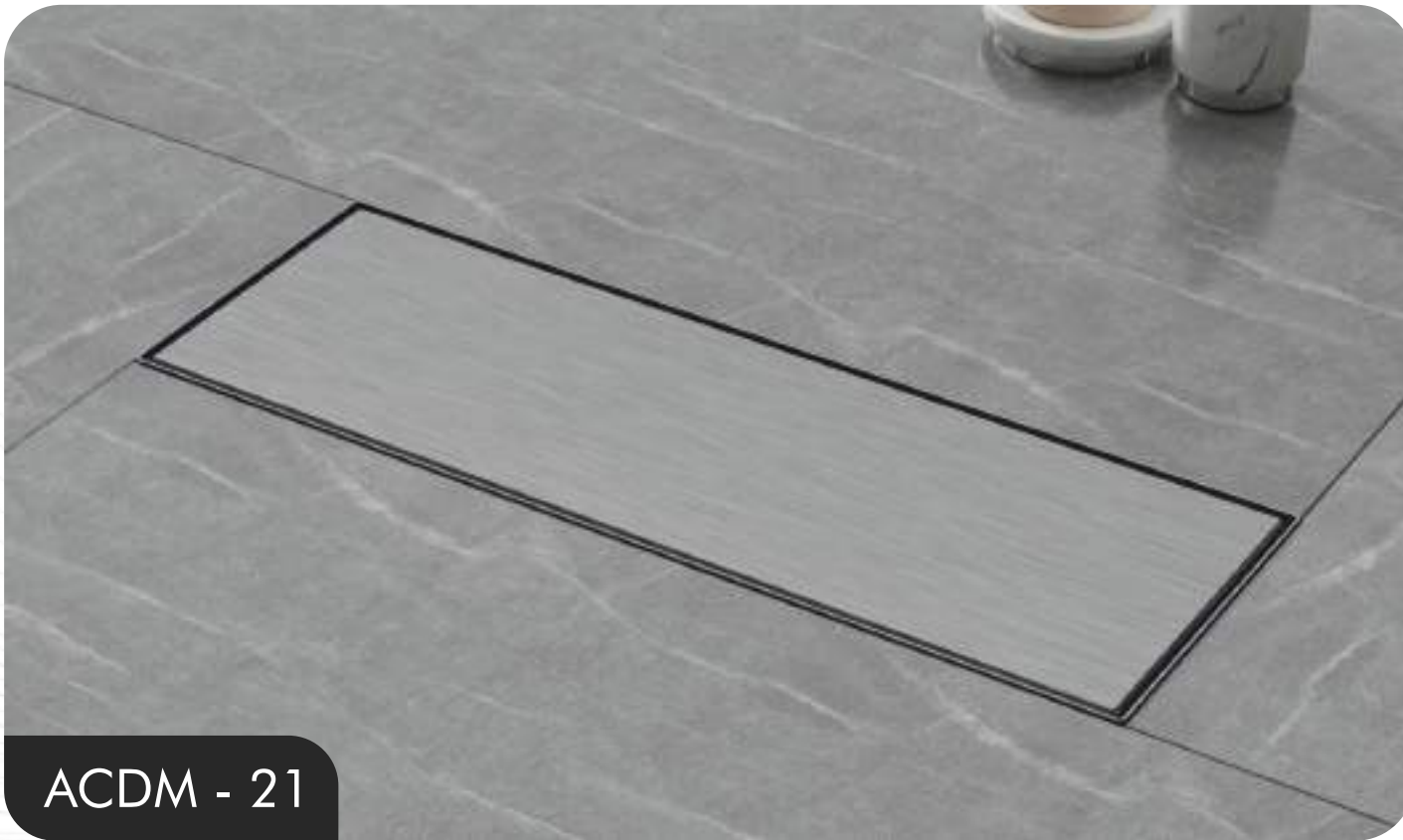


ACDRG - 21

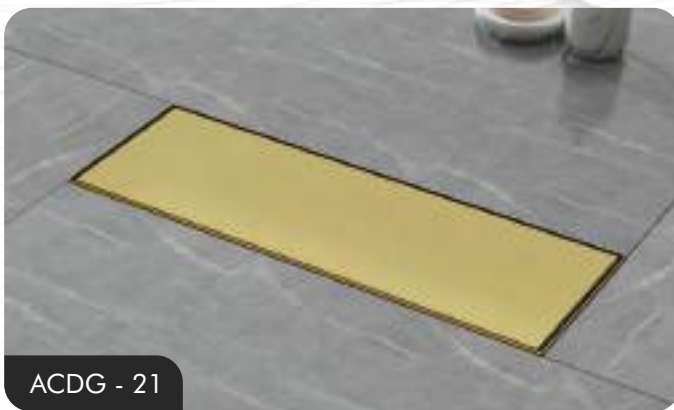


ACDB - 21

Available Size Given in Table



ACDM - 21



ACDG - 21



ACDRG - 21



ACDB - 21

Available Size Given in Table

SPECIFICATIONS :

: Thickness :

Base : 1mm Plate : 1mm (Both can be customized)

: Drainage direction :

Side / Center (can be customized)

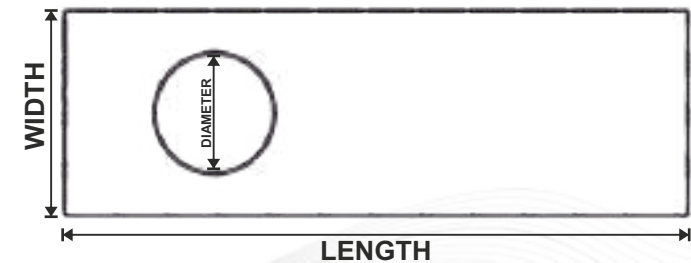
: Flow Rate :

80-100 Liters / Minute

Size		Tile Insert Height (mm)		Marble Insert Height (mm)		Outlet Dia.	Compatible Bowl
(L x W) mm	Inch	A	B	A	B	mm	mm
300 x 50	12 x 2	14	25	19	32	40	CT - 304
450 x 50	18 x 2	14	25	19	32	40	CT - 304
600 x 50	24 x 2	14	25	19	32	40	CT - 304
750 x 50	30 x 2	14	25	19	32	40	CT - 304
900 x 50	36 x 2	14	25	19	32	40	CT - 304
1200 x 50	48 x 2	14	25	19	32	40	CT - 304

Size		Tile Insert Height (mm)		Marble Insert Height (mm)		Outlet Dia.	Compatible Bowl
(L x W) mm	Inch	A	B	A	B	mm	mm
300 x 75	12 x 3	14	25	19	32	60	CT - 401 404
450 x 75	18 x 3	14	25	19	32	60	CT - 401 404
600 x 75	24 x 3	14	25	19	32	60	CT - 401 404
750 x 75	30 x 3	14	25	19	32	60	CT - 401 404
900 x 75	36 x 3	14	25	19	32	60	CT - 401 404
1200 x 75	48 x 3	14	25	19	32	60	CT - 401 404

Size		Tile Insert Height (mm)		Marble Insert Height (mm)		Outlet Dia.	Compatible Bowl
(L x W) mm	Inch	A	B	A	B	mm	mm
300 x 100	12 x 4	14	25	19	32	80	CT - 501 401
450 x 100	18 x 4	14	25	19	32	80	CT - 501 401
600 x 100	24 x 4	14	25	19	32	80	CT - 501 401
750 x 100	30 x 4	14	25	19	32	80	CT - 501 401
900 x 100	36 x 4	14	25	19	32	80	CT - 501 401
1200 x 100	48 x 4	14	25	19	32	80	CT - 501 401

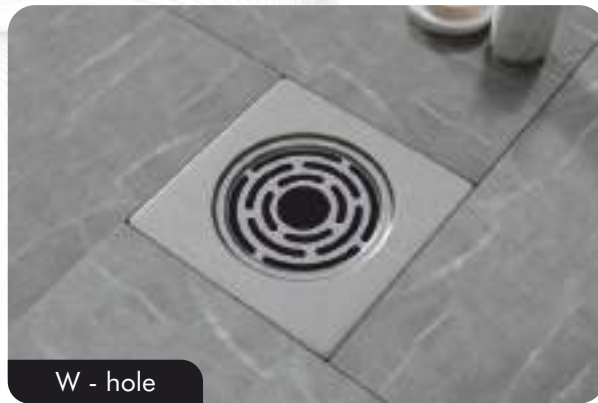




FIX & LOCKING DRAIN



“**Designed To
Move Water**”



Available Size: 150mm x 150mm



Available Size: 125mm x 125mm



Available Size: 125mm x 125mm

SPECIFICATIONS :

: Thickness :

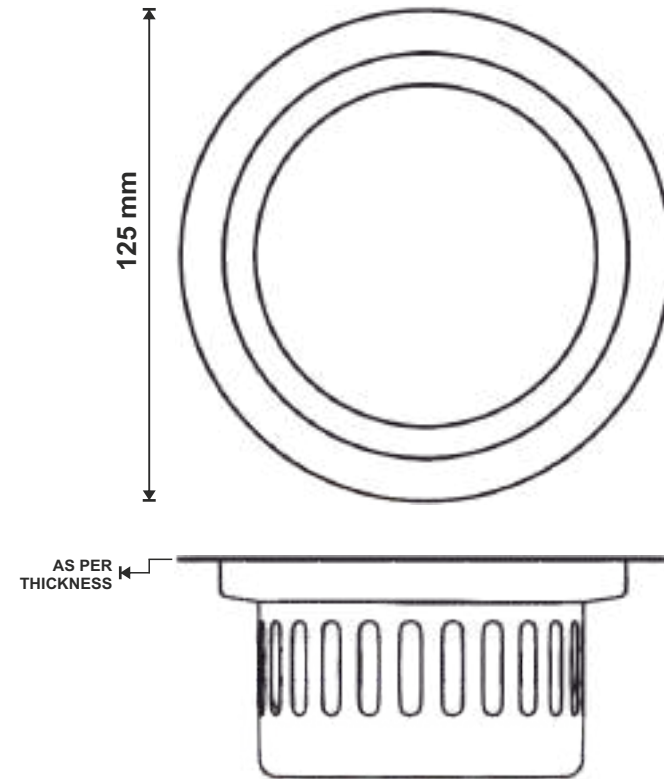
Base : 1mm | Plate : 1mm

: Flow Rate :

60-80 Liters / Minute

: Drainage direction :

Center



Size		Height	Inner Dia.	Outlet Dia.
(L x W) mm	Inch	mm	mm	mm
125 x 125	5 x 5	as per thickness	90	CT - 502



Available Size: 125mm x 125mm | 150mm x 150mm



Available Size: 125mm x 125mm | 150mm x 150mm

SPECIFICATIONS :

: Thickness :

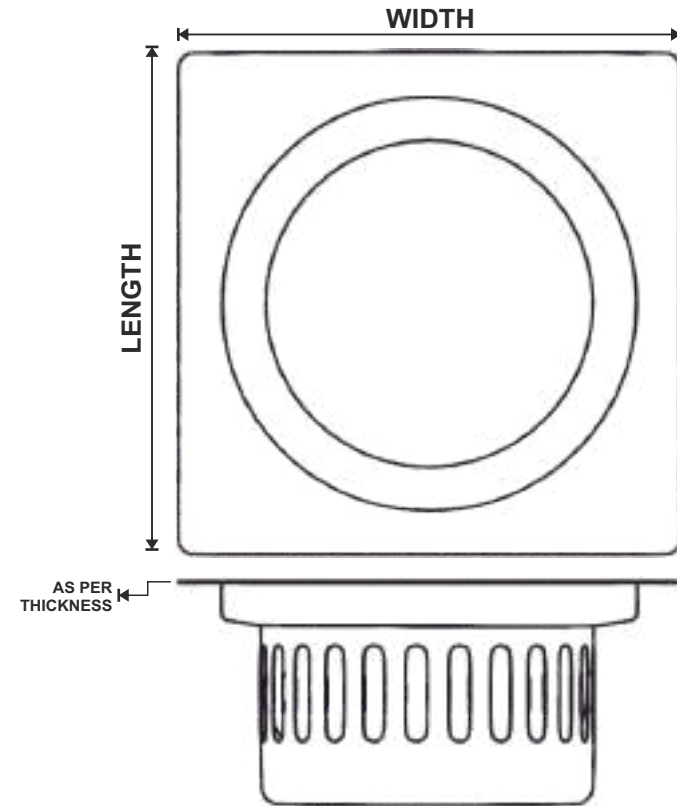
Base : 1mm | Plate : 1mm

: Flow Rate :

60-80 Liters / Minute

: Drainage direction :

Center



Size		Height	Inner Dia.	Outlet Dia.
(L x W) mm	Inch	mm	mm	mm
125 x 125	5 x 5	as per thickness	90	CT - 502
150 x 150	6 x 6	as per thickness	90	CT - 502



Available Size: 150mm x 150mm



Available Size: 150mm x 150mm

SPECIFICATIONS :

: Thickness :

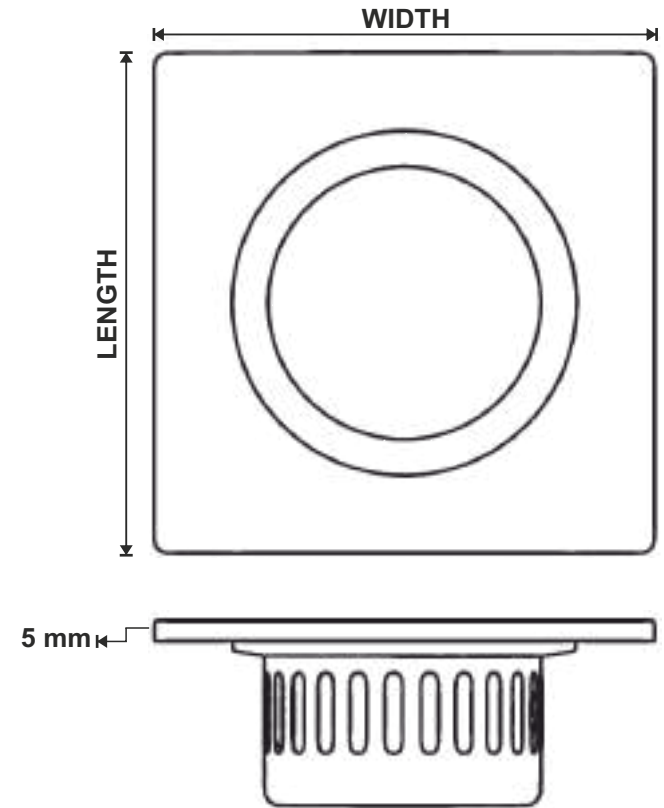
Base : 1mm | Plate : 1mm

: Flow Rate :

60-80 Liters / Minute

: Drainage direction :

Center



Size		Collar Height	Inner Dia.	Outlet Dia.
(L x W) mm	Inch	mm	mm	mm
150 x 150	6 x 6	5	90	80



AFTM - 40



AFTM - 40

ACUTE[®]
LUXURY REDEFINED...



Available Size: 75mm x 75mm | 100mm x 100mm | 125mm x 125mm | 150mm x 150mm

SPECIFICATIONS :

: Thickness :

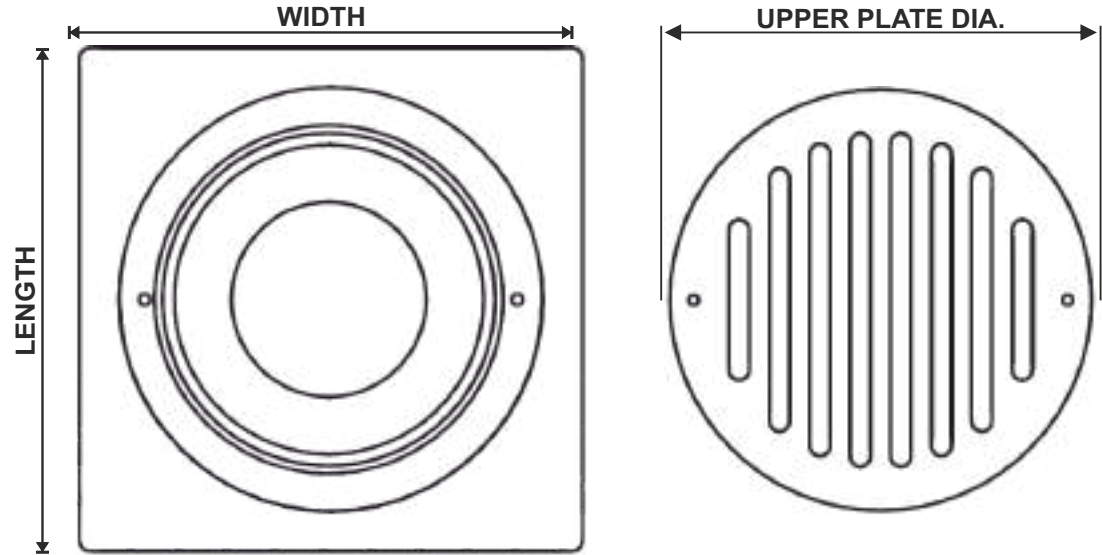
Base : 1.2 mm | Plate : 1.5 mm

: Flow Rate :

60-80 Liters / Minute

: Drainage direction :

Center



Size		Height	Upper Plate Dia.	Outlet Dia.	Compatible Bowl
(L x W) mm	Inch	mm	mm	mm	mm
75 x 75	3 x 3	20	65	40	CT - 304
100 x 100	4 x 4	20	85	60	CT - 404 401
125 x 125	5 x 5	20	102	75	CT - 501
150 x 150	6 x 6	20	125	95	CT - 601 603



FLATCUT DRAINS



“**Engineered
for *Lasting*
quality.**”



AFTM - 51



AFTB - 51



AFTG - 51



W - hole

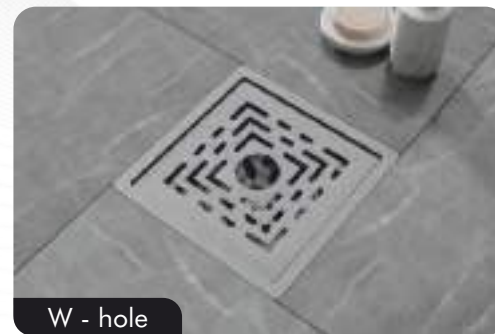


AFTRG - 51

Available Size: 100mm x 100mm | 125mm x 125mm | 150mm x 150mm



Available Size: 100mm x 100mm | 125mm x 125mm | 150mm x 150mm



Available Size: 100mm x 100mm | 125mm x 125mm | 150mm x 150mm



AFTM - 54



W - hole



AFTB - 54



AFTG - 54



AFTRG - 54

Available Size: 100mm x 100mm | 125mm x 125mm | 150mm x 150mm



AFTM - 55



AFTB - 55



AFTG - 55



W - hole



AFTRG - 55

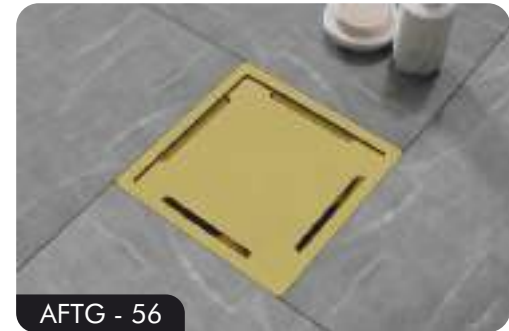
Available Size: 100mm x 100mm | 125mm x 125mm | 150mm x 150mm



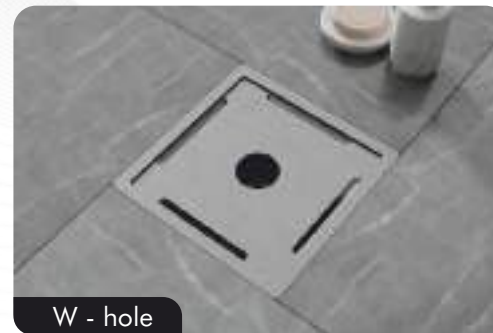
AFTM - 56



AFTB - 56



AFTG - 56



W - hole



AFTRG - 56

Available Size: 100mm x 100mm | 125mm x 125mm | 150mm x 150mm



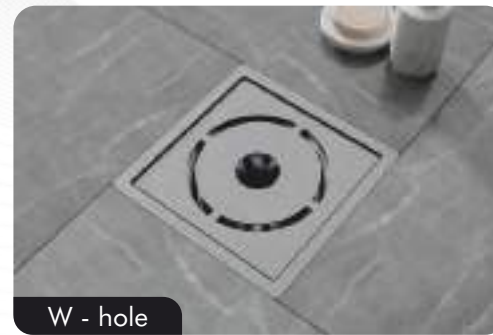
AFTM - 57



AFTB - 57



AFTG - 57



W - hole



AFTRG - 57

Available Size: 100mm x 100mm | 125mm x 125mm | 150mm x 150mm



AFTM - 58



W - hole



AFTB - 58



AFTG - 58

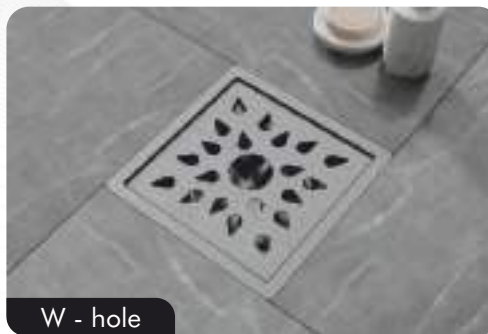


AFTRG - 58

Available Size: 100mm x 100mm | 125mm x 125mm | 150mm x 150mm



AFTM - 59



W - hole



AFTB - 59



AFTG - 59



AFTRG - 59

Available Size: 100mm x 100mm | 125mm x 125mm | 150mm x 150mm



Available Size: 100mm x 100mm | 125mm x 125mm | 150mm x 150mm



AFTM - 61



AFTB - 61



AFTG - 61



W - hole



AFTRG - 61

Available Size: 100mm x 100mm | 125mm x 125mm | 150mm x 150mm



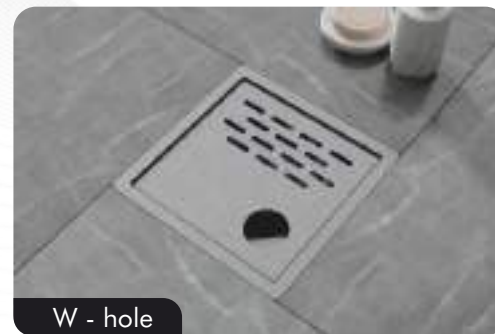
AFTM - 62



AFTB - 62



AFTG - 62



W - hole



AFTRG - 62

Available Size: 100mm x 100mm | 125mm x 125mm | 150mm x 150mm

SPECIFICATIONS :

: Thickness :

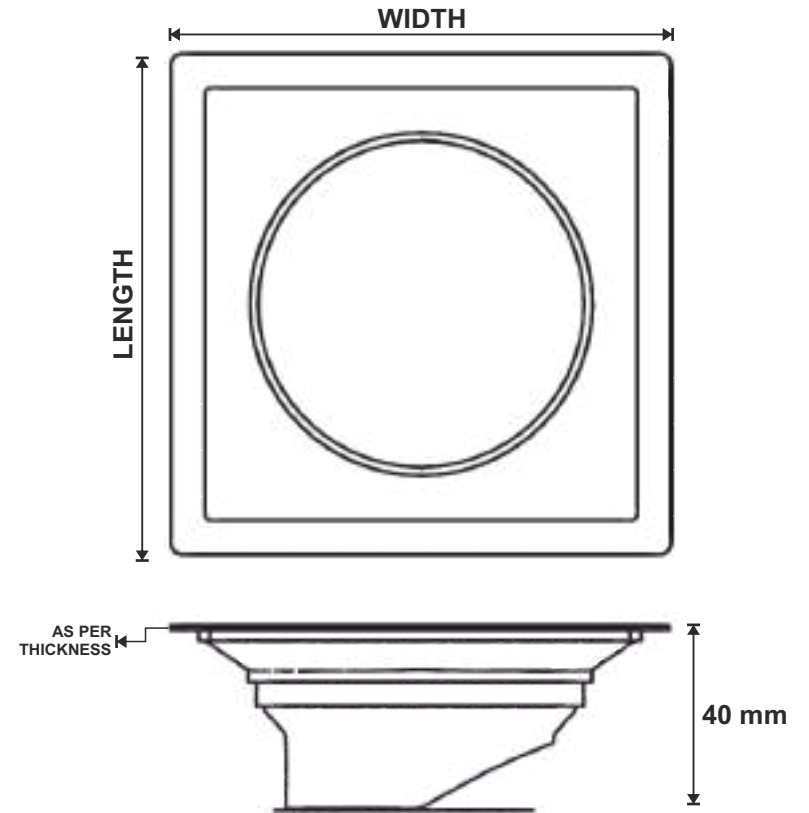
Base : 1.2mm | Plate : 1.5mm

: Flow Rate :

60-80 Liters / Minute

: Drainage direction :

Center



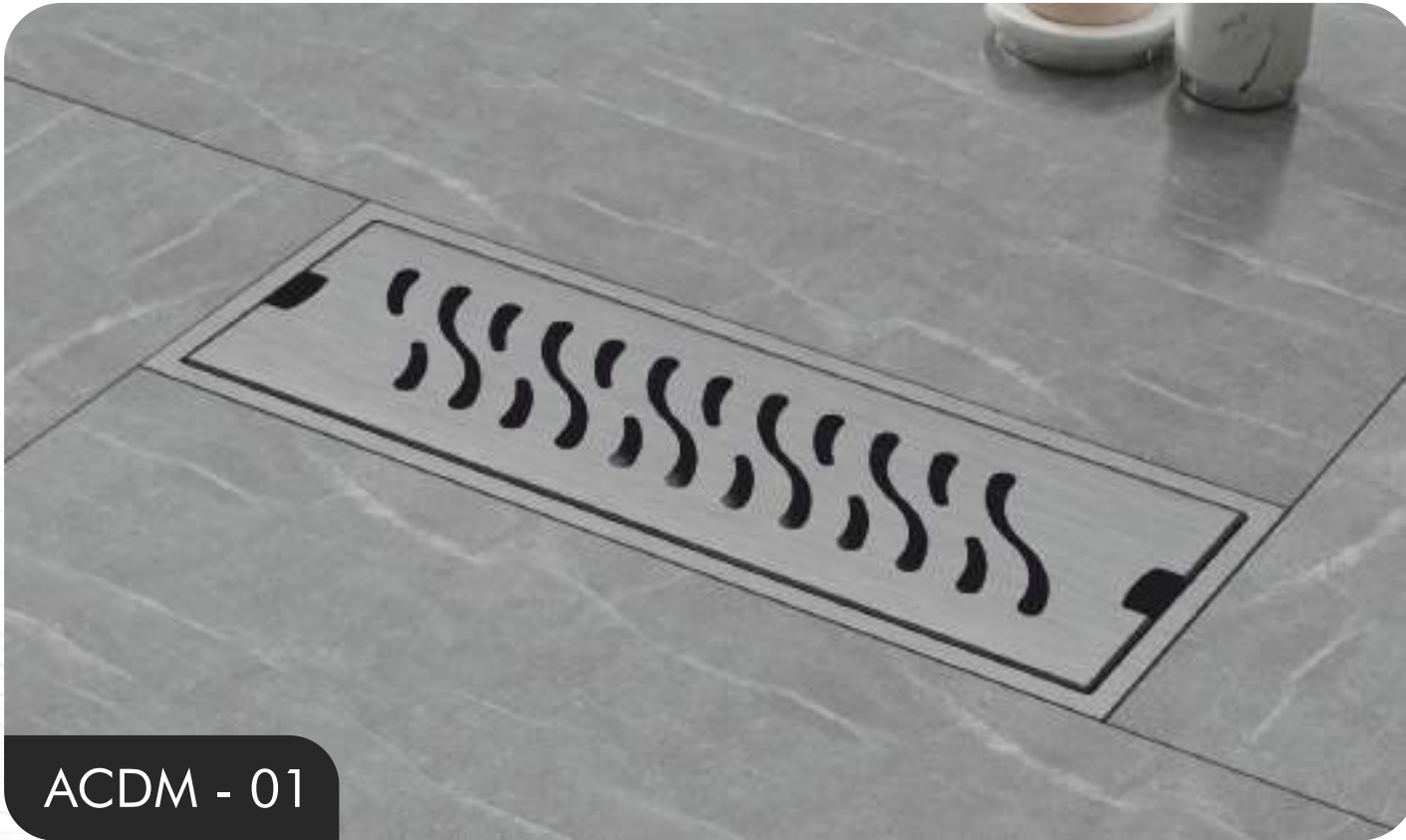
Size		Height	Outlet Dia.	Compatible Bowl
(L x W) mm	Inch	mm	mm	mm
100 x 100	4 x 4	as per thickness	45	CT - 401 404
125 x 125	5 x 5	as per thickness	75	CT - 501
150 x 150	6 x 6	as per thickness	90	CT - 601 603



SHOWER DRAIN SINGLE PIECE



“**Design For
Modern Flow**”



ACDM - 01



ACDG - 01

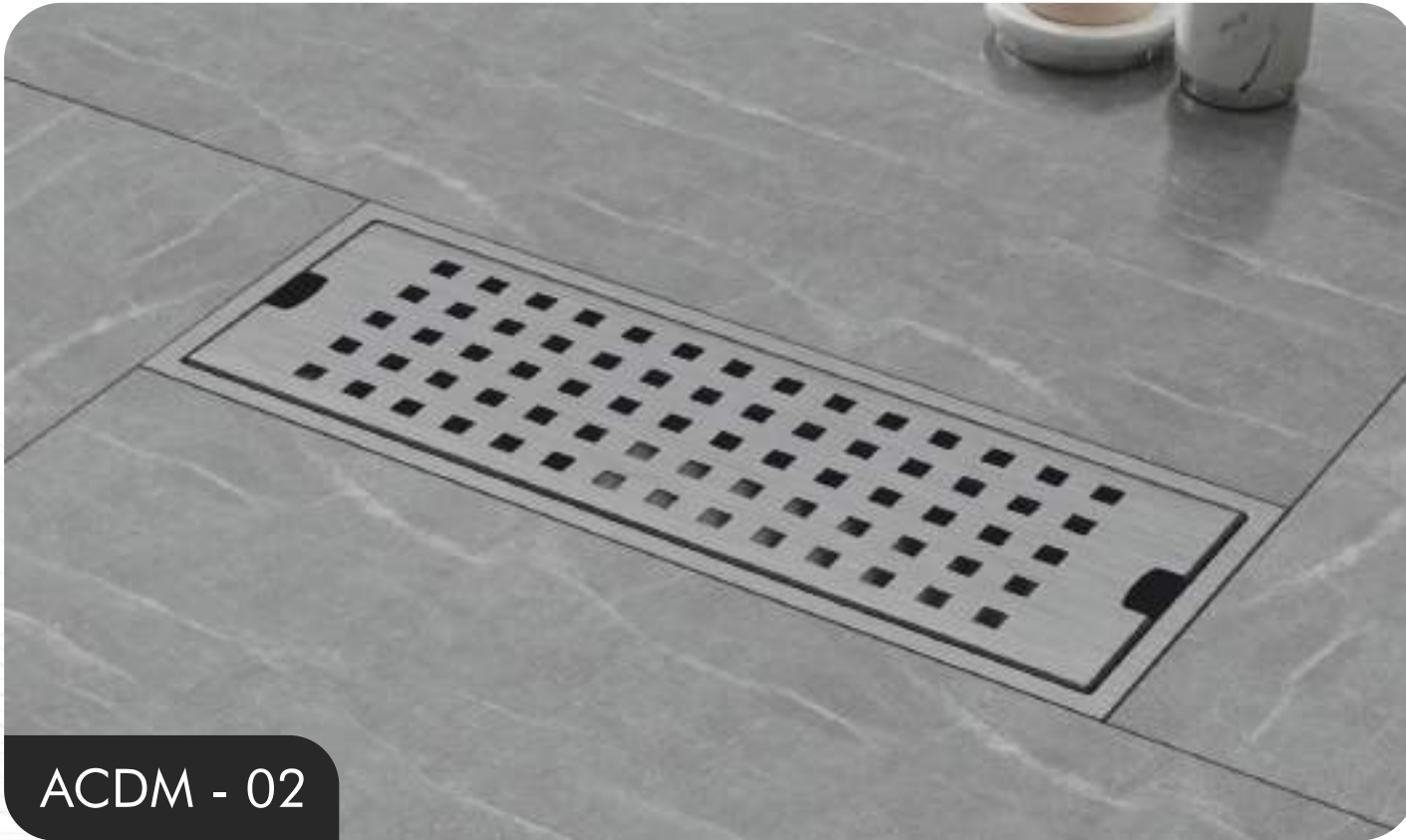


ACDRG - 01

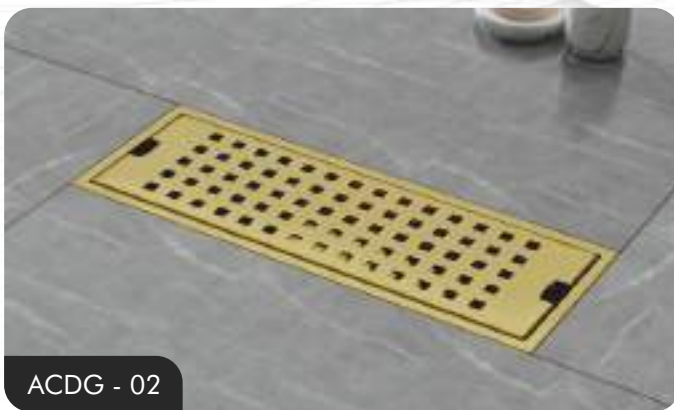


ACDB - 01

Available Size Given in Table



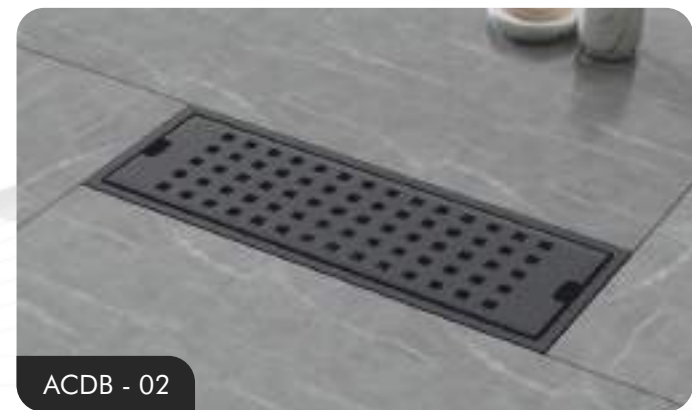
ACDM - 02



ACDG - 02

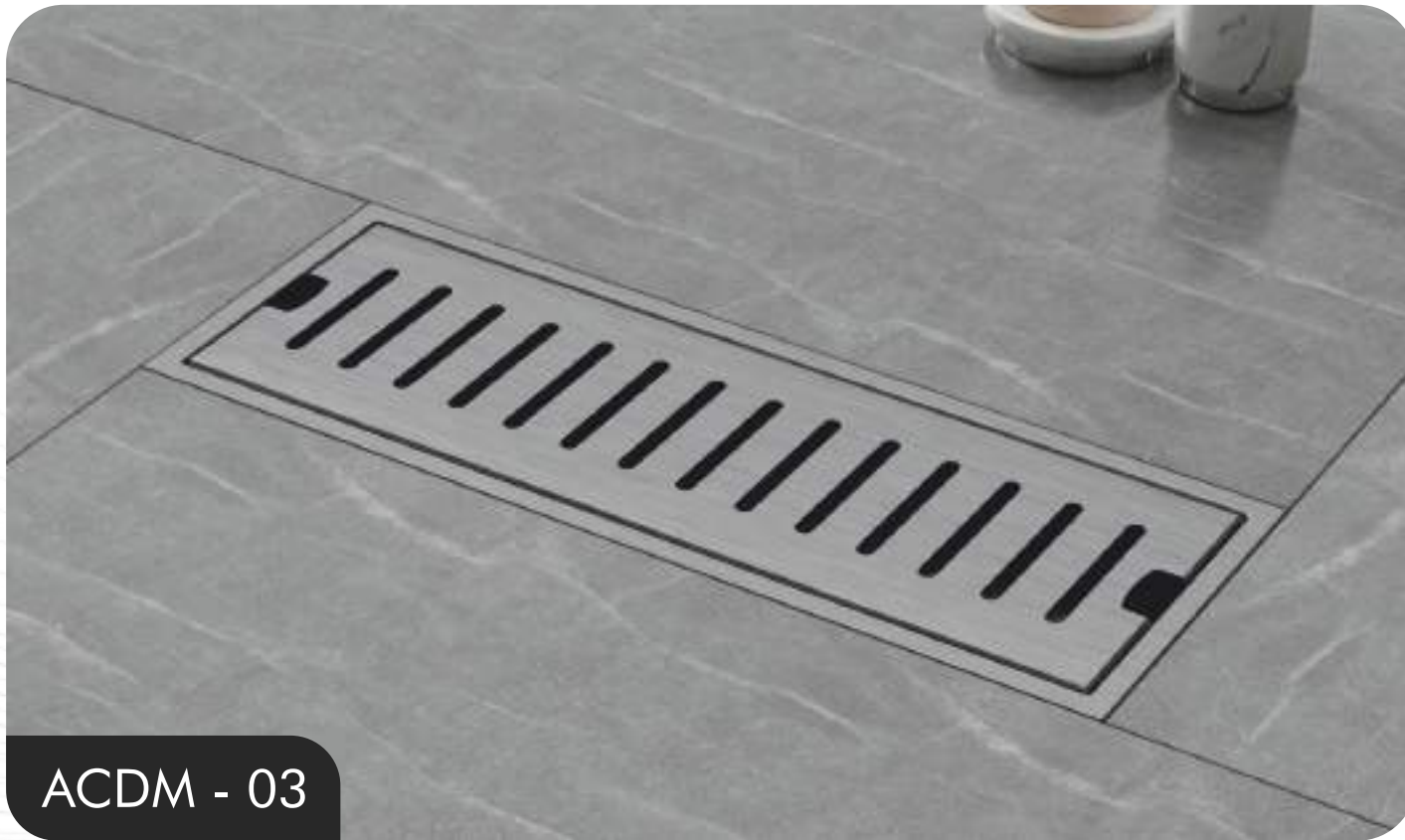


ACDRG - 02

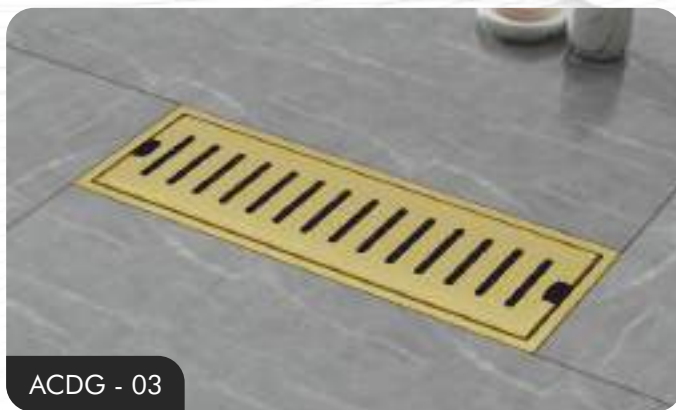


ACDB - 02

Available Size Given in Table



ACDM - 03



ACDG - 03



ACDRG - 03



ACDB - 03

Available Size Given in Table



ACDM - 04



ACDG - 04

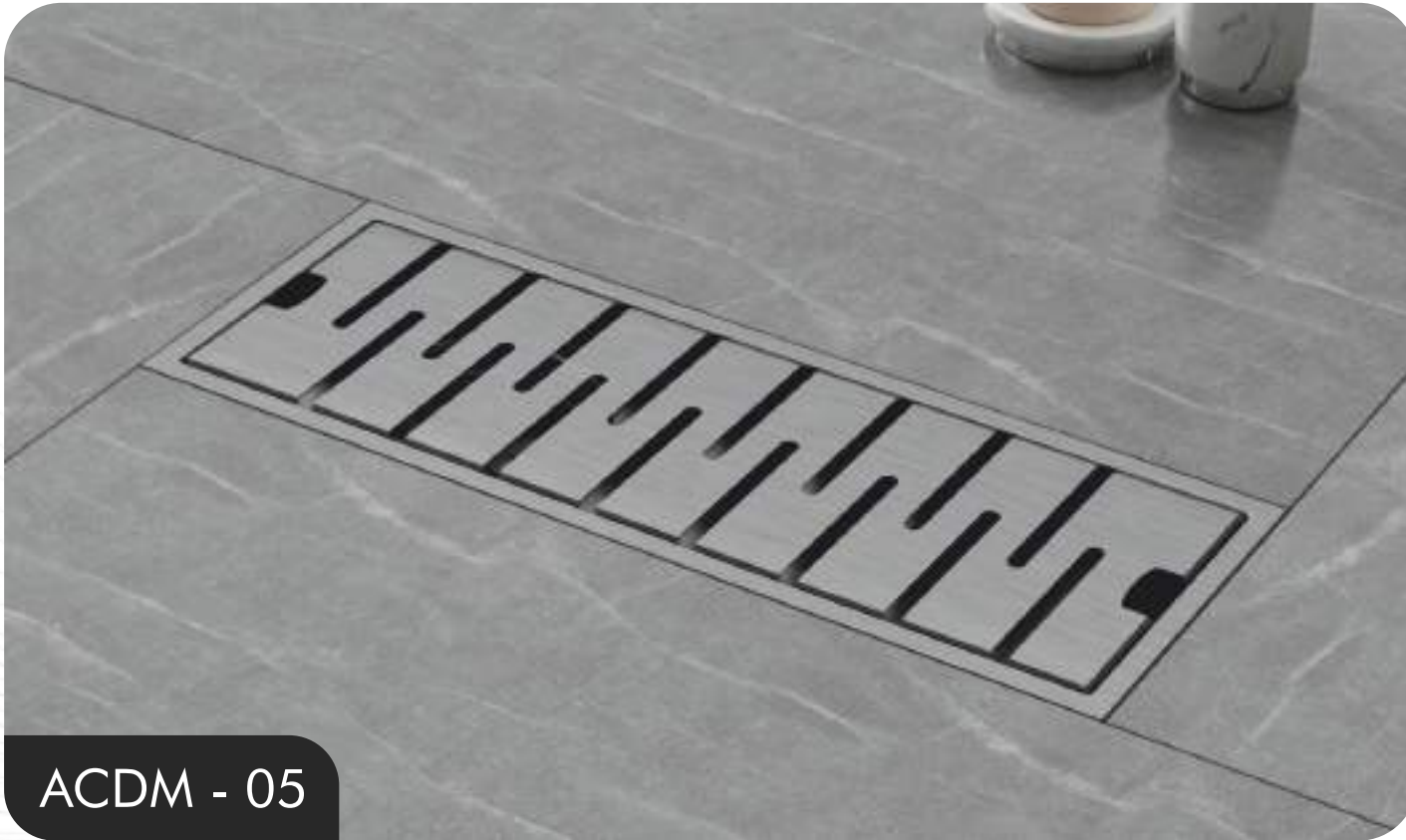


ACDRG - 04



ACDB - 04

Available Size Given in Table



ACDM - 05



ACDG - 05



ACDRG - 05

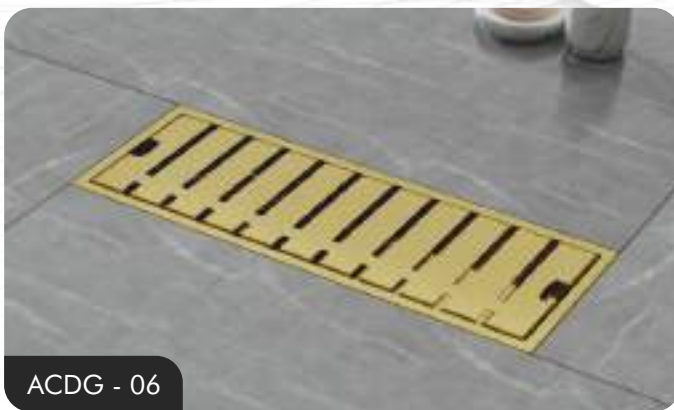


ACDB - 05

Available Size Given in Table



ACDM - 06



ACDG - 06



ACDRG - 06



ACDB - 06

Available Size Given in Table



ACDM - 07



ACDG - 07



ACDRG - 07



ACDB - 07

Available Size Given in Table



ACDM - 08



ACDG - 08



ACDRG - 08



ACDB - 08

Available Size Given in Table

SPECIFICATIONS :

: Thickness :

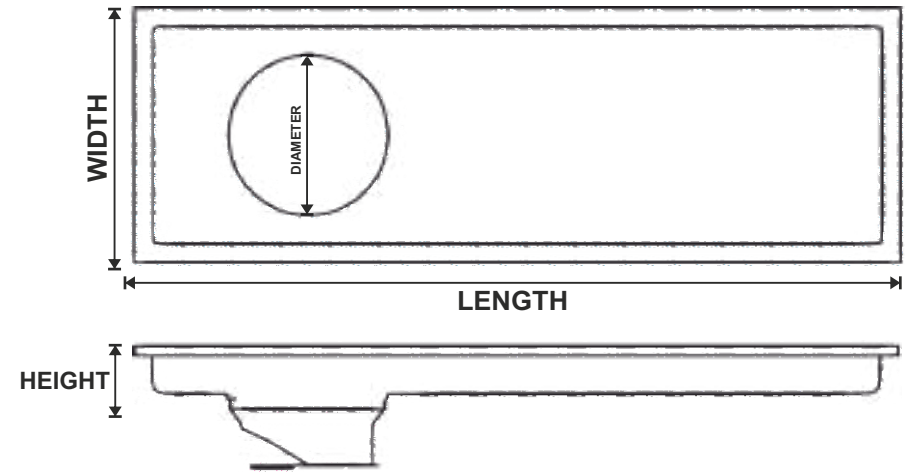
Base : 1mm Plate : 1mm (Both can be customized)

: Drainage direction :

Side / Center (can be customized)

: Flow Rate :

80-100 Liters / Minute



Size		Height	Outlet Dia.	Compatible Bowl
(L x W) mm	Inch	mm	mm	mm
300 x 100	12 x 4	25	80	CT - 501
450 x 100	18 x 4	25	80	CT - 501
600 x 100	24 x 4	25	80	CT - 501
750 x 100	30 x 4	25	80	CT - 501
900 x 100	36 x 4	25	80	CT - 501
1200 x 100	48 x 4	25	80	CT - 501



**SHOWER DRAIN
WITHOUT COLLAR**



“**Crafted To
Clean Flow**”



ACDM - 11



ACDG - 11

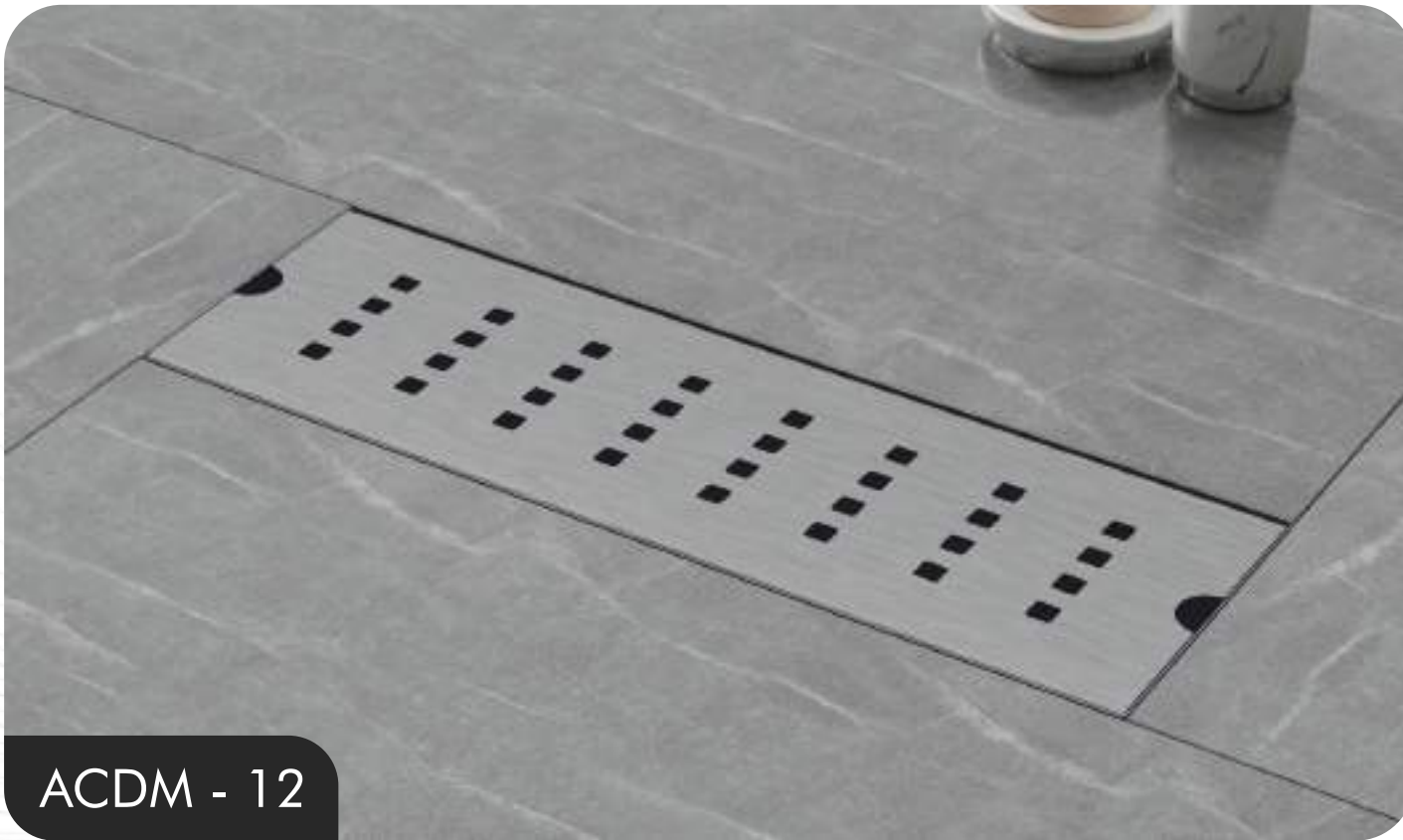


ACDRG - 11

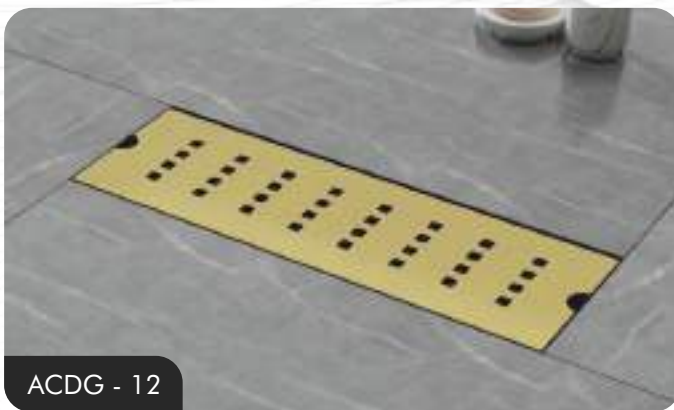


ACDB - 11

Available Size Given in Table



ACDM - 12



ACDG - 12

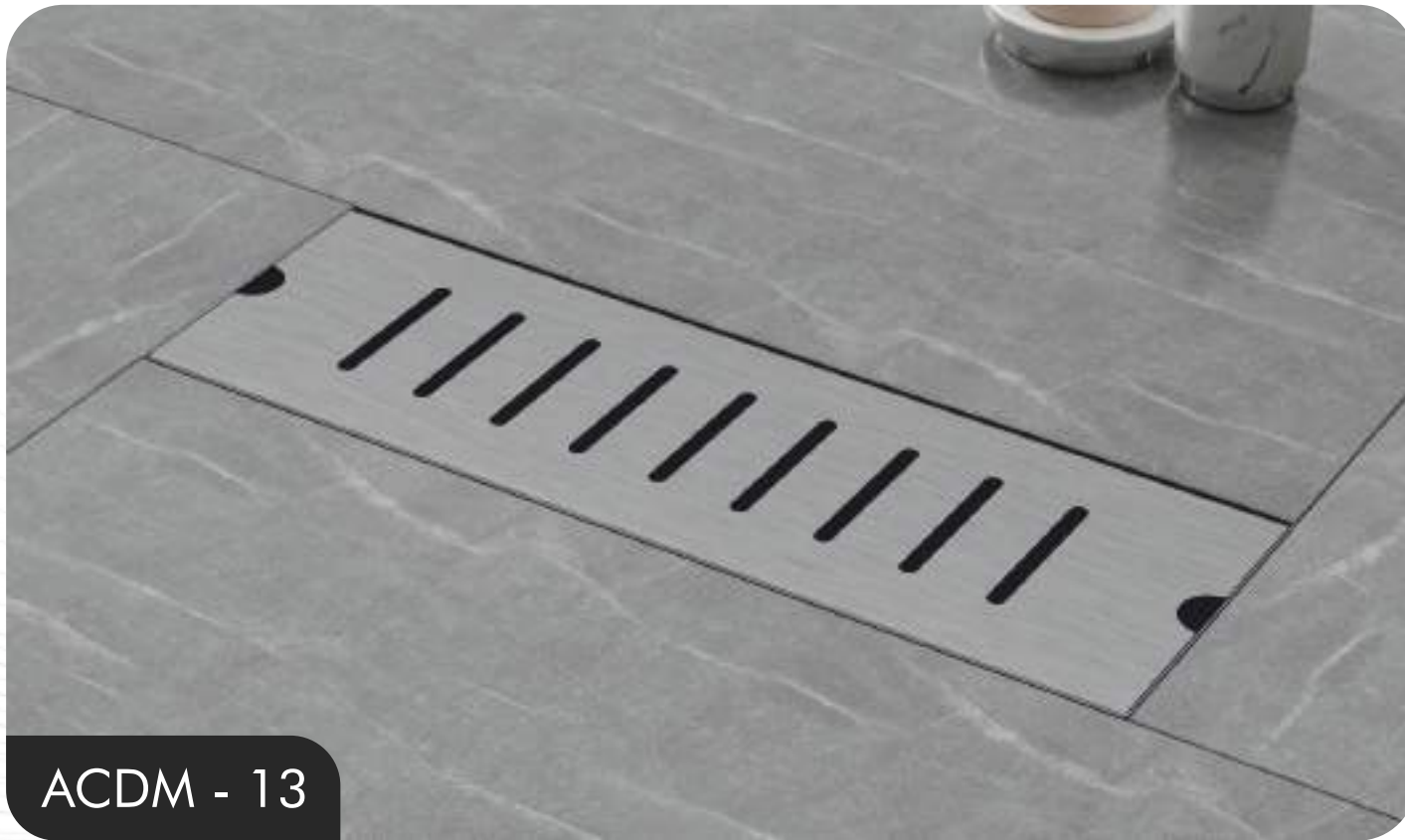


ACDRG - 12



ACDB - 12

Available Size Given in Table



ACDM - 13



ACDG - 13

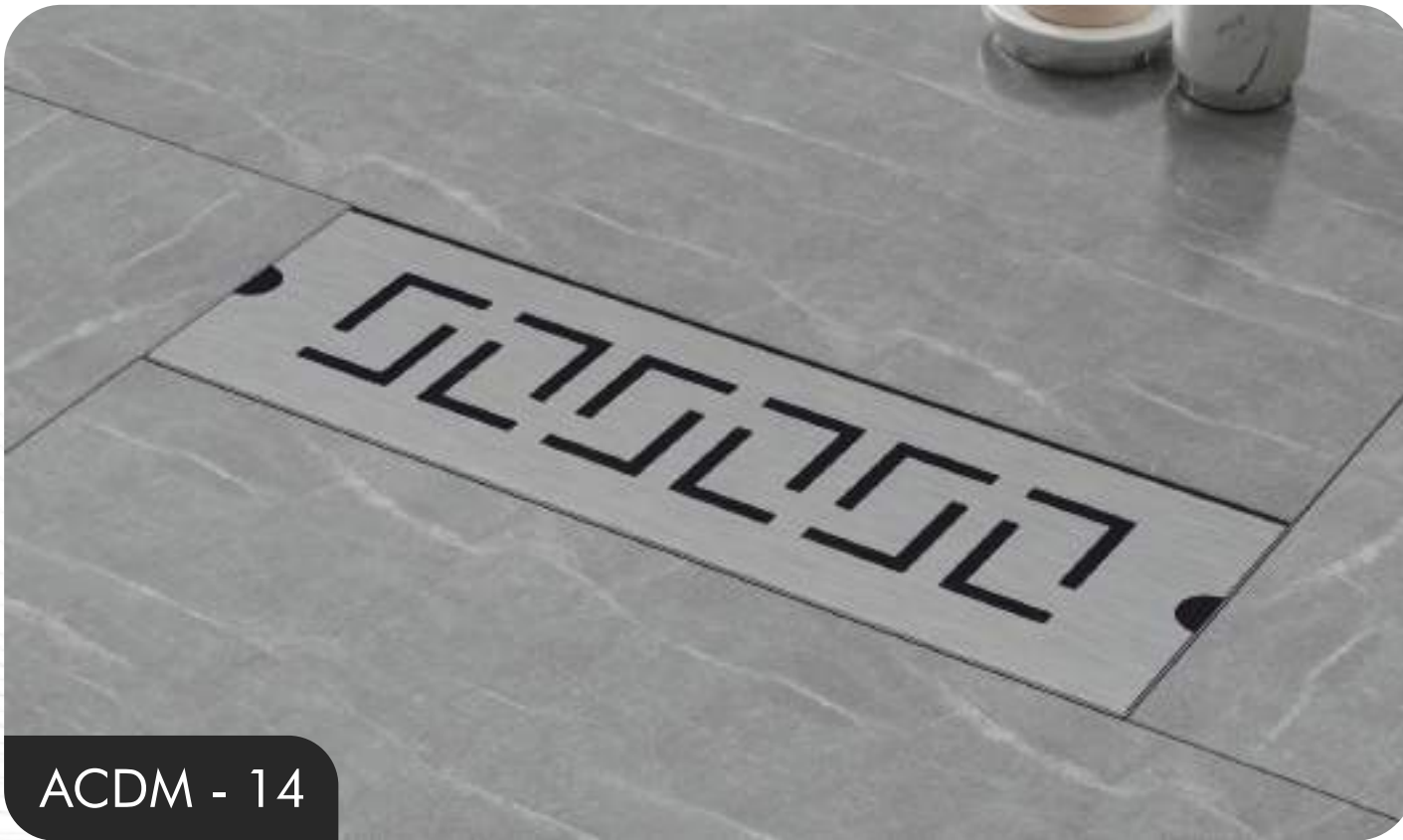


ACDRG - 13



ACDB - 13

Available Size Given in Table



ACDM - 14



ACDG - 14

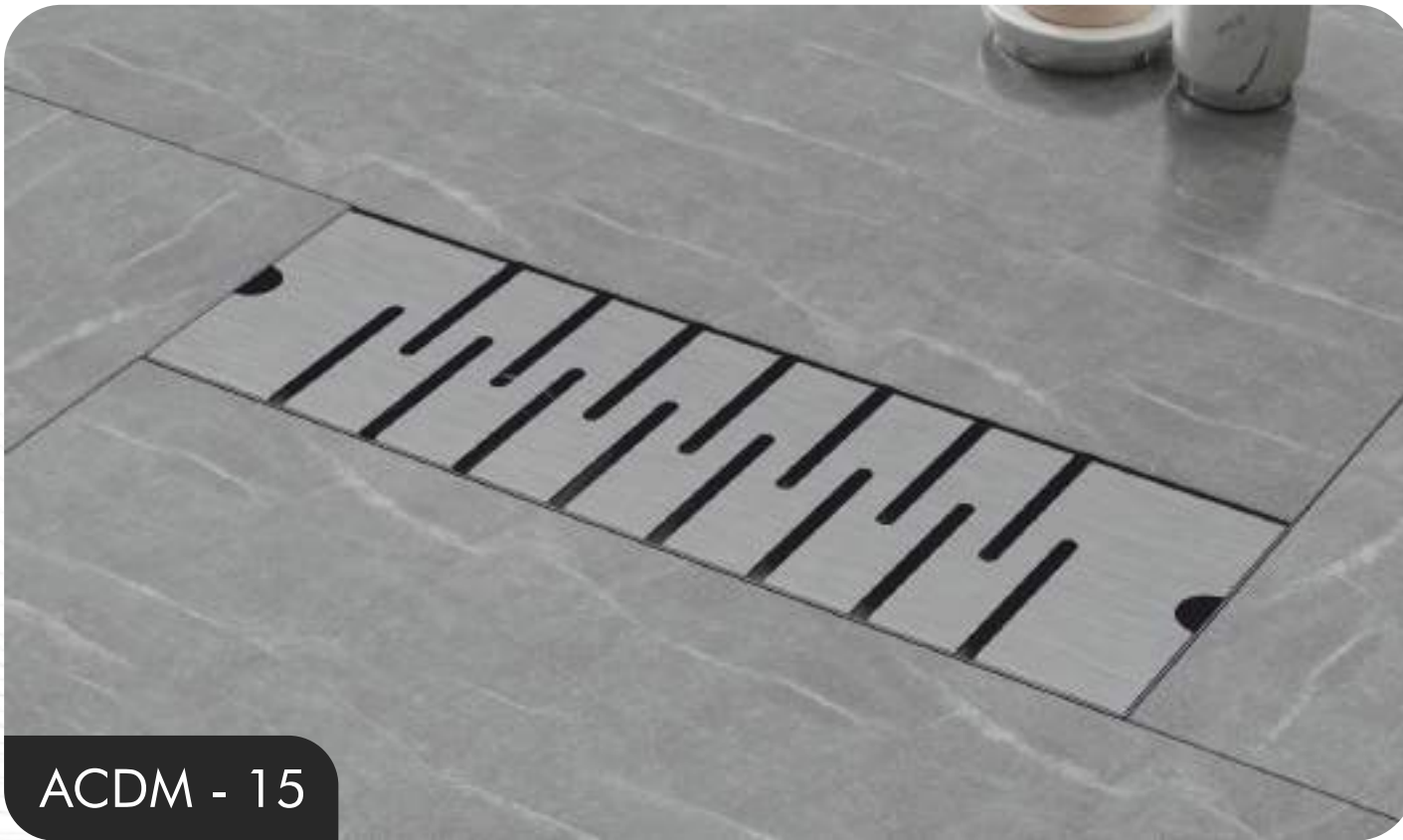


ACDRG - 14



ACDB - 14

Available Size Given in Table



ACDM - 15



ACDG - 15



ACDRG - 15



ACDB - 15

Available Size Given in Table



ACDM - 16



ACDG - 16



ACDRG - 16



ACDB - 16

Available Size Given in Table



ACDM - 17



ACDG - 17



ACDRG - 17



ACDB - 17

Available Size Given in Table



ACDM - 18



ACDG - 18



ACDRG - 18



ACDB - 18

Available Size Given in Table

SPECIFICATIONS :

: Thickness :

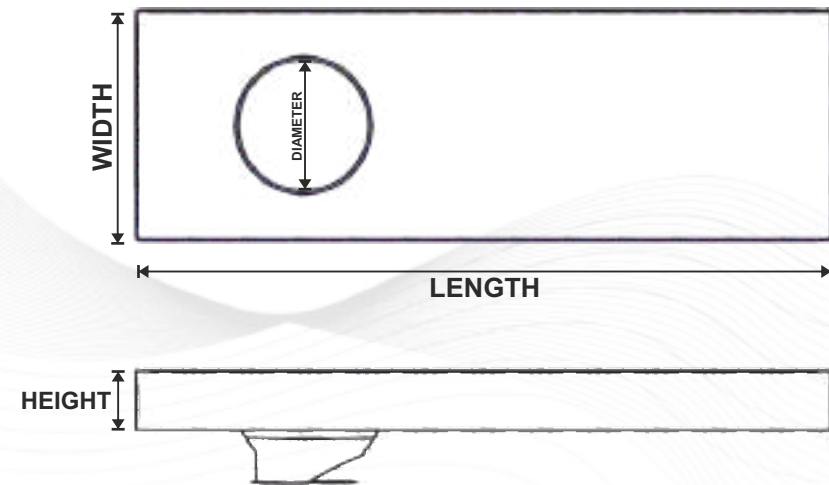
Base : 1mm Plate : 1mm (Both can be customized)

: Drainage direction :

Side / Center (can be customized)

: Flow Rate :

80-100 Liters / Minute



Size		Height	Outlet Dia.	Compatible Bowl
(L x W) mm	Inch	mm	mm	mm
300 x 50	12 x 2	32	40	CT - 304
450 x 50	18 x 2	32	40	CT - 304
600 x 50	24 x 2	32	40	CT - 304
750 x 50	30 x 2	32	40	CT - 304
900 x 50	36 x 2	32	40	CT - 304
1200 x 50	48 x 2	32	40	CT - 304

Size		Height	Outlet Dia.	Compatible Bowl
(L x W) mm	Inch	mm	mm	mm
300 x 75	12 x 3	32	60	CT - 401 404
450 x 75	18 x 3	32	60	CT - 401 404
600 x 75	24 x 3	32	60	CT - 401 404
750 x 75	30 x 3	32	60	CT - 401 404
900 x 75	36 x 3	32	60	CT - 401 404
1200 x 75	48 x 3	32	60	CT - 401 404

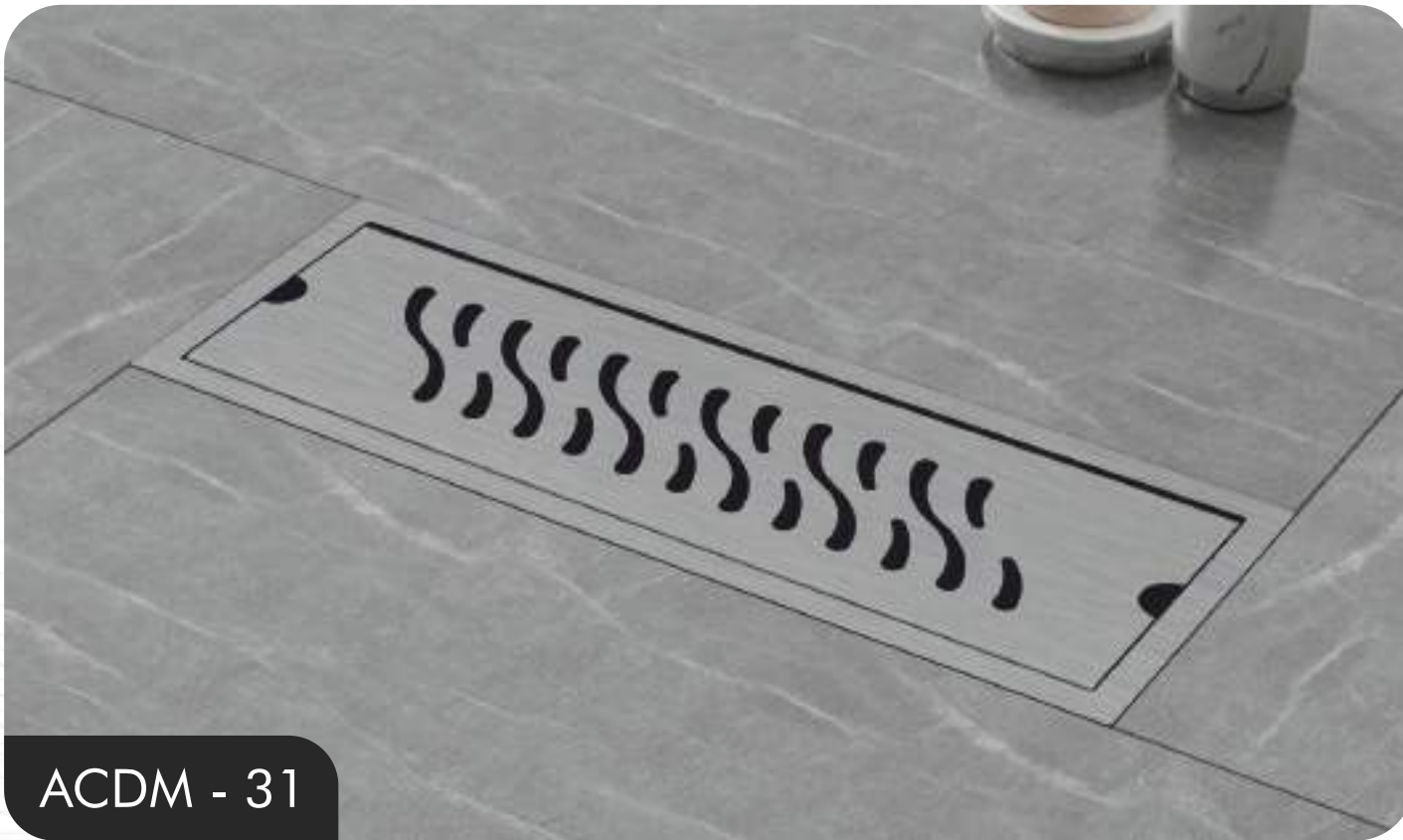
Size		Height	Outlet Dia.	Compatible Bowl
(L x W) mm	Inch	mm	mm	mm
300 x 100	12 x 4	32	80	CT - 501 401
450 x 100	18 x 4	32	80	CT - 501 401
600 x 100	24 x 4	32	80	CT - 501 401
750 x 100	30 x 4	32	80	CT - 501 401
900 x 100	36 x 4	32	80	CT - 501 401
1200 x 100	48 x 4	32	80	CT - 501 401



SHOWER DRAIN WELDING TYPE



“**From
Cover To
Clarity**”



ACDM - 31



ACDG - 31

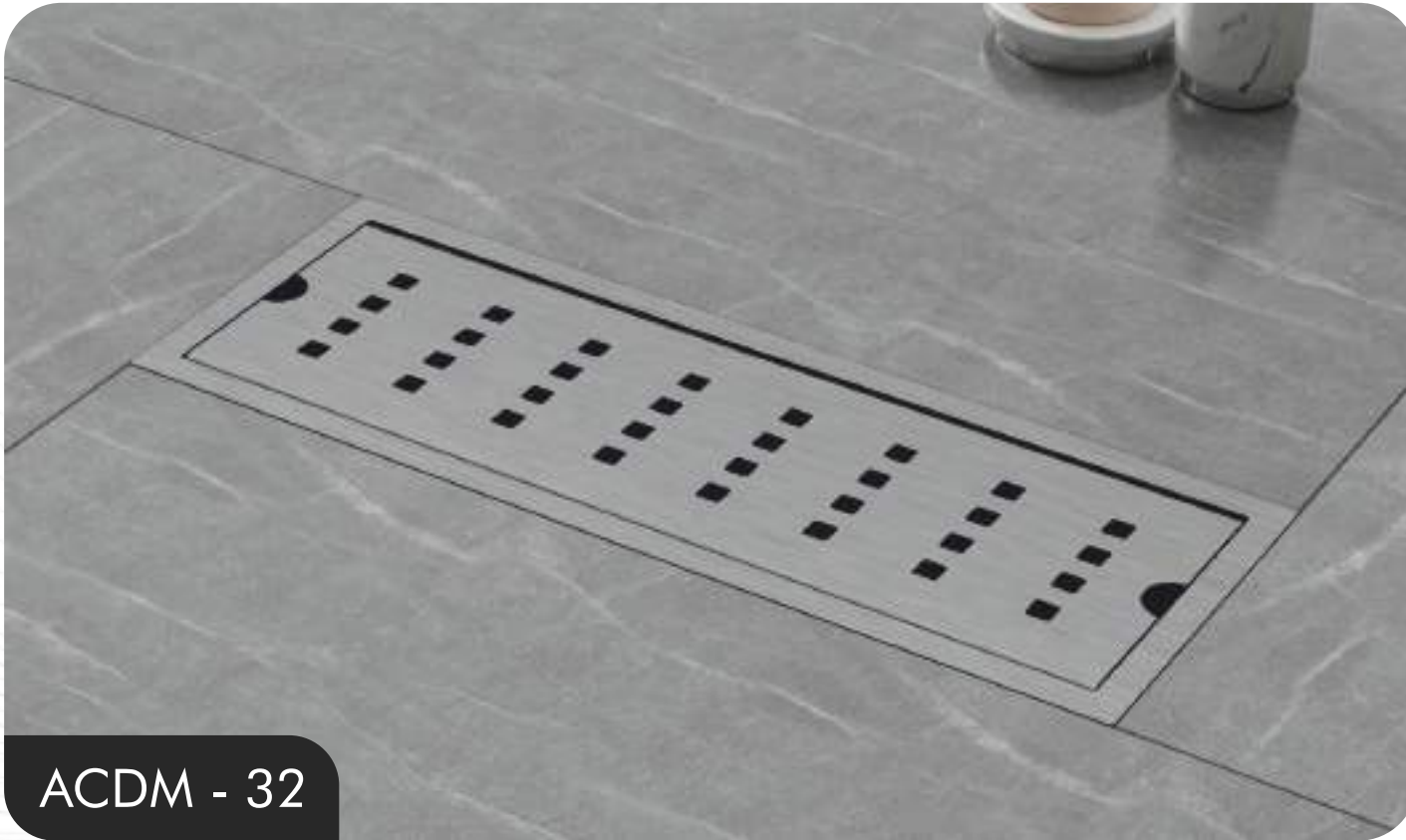


ACDRG - 31

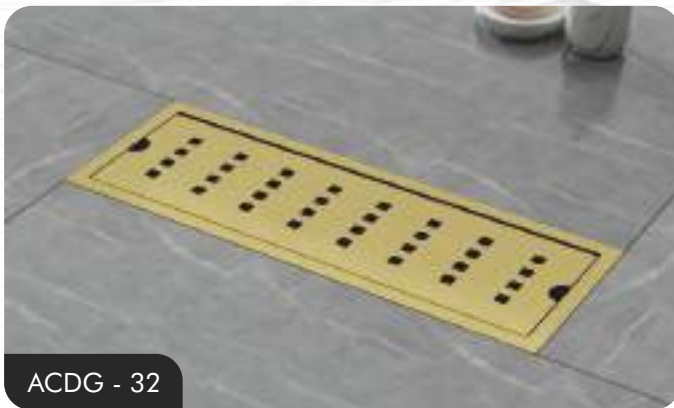


ACDB - 31

Available Size Given in Table



ACDM - 32



ACDG - 32

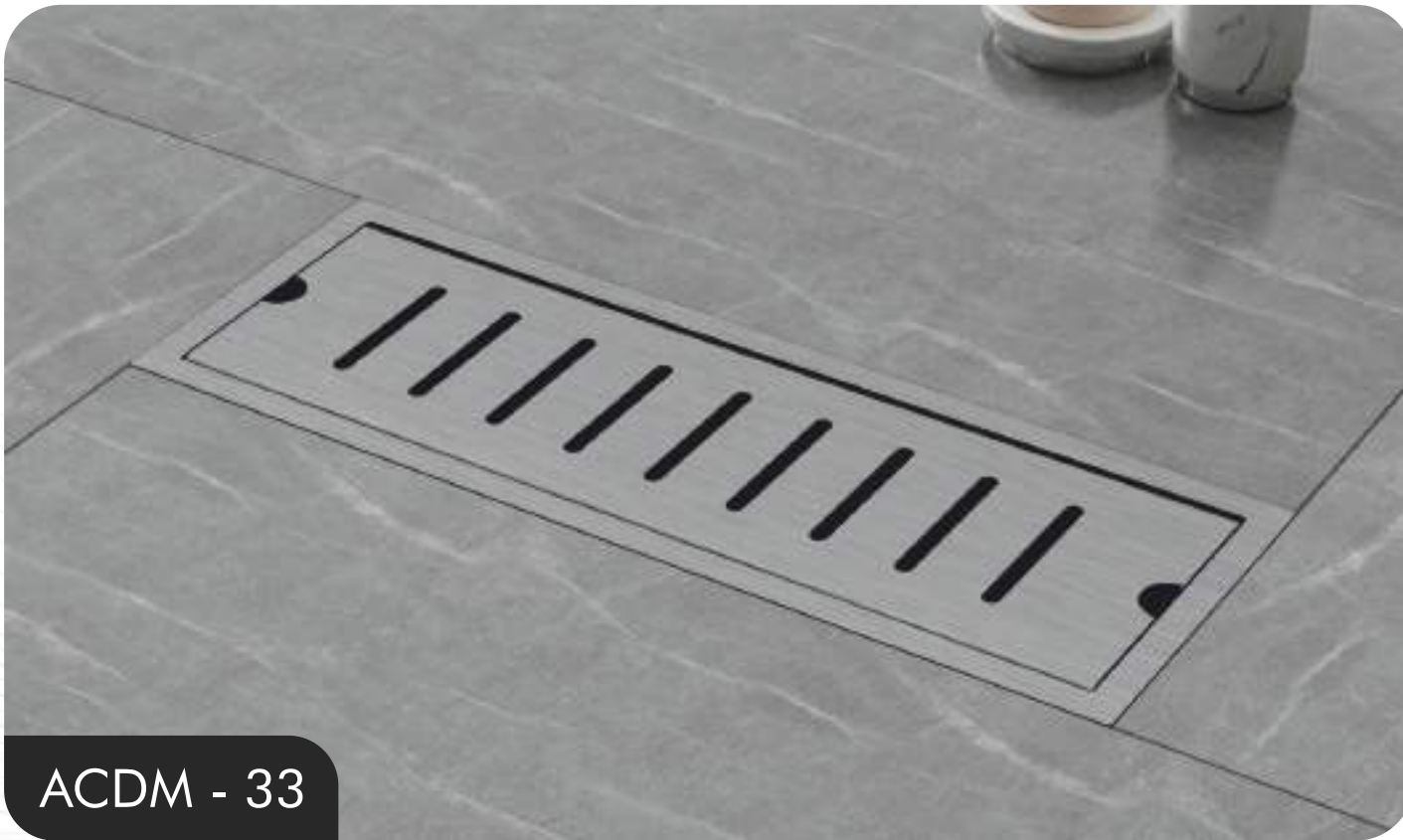


ACDRG - 32



ACDB - 32

Available Size Given in Table



ACDM - 33



ACDG - 33

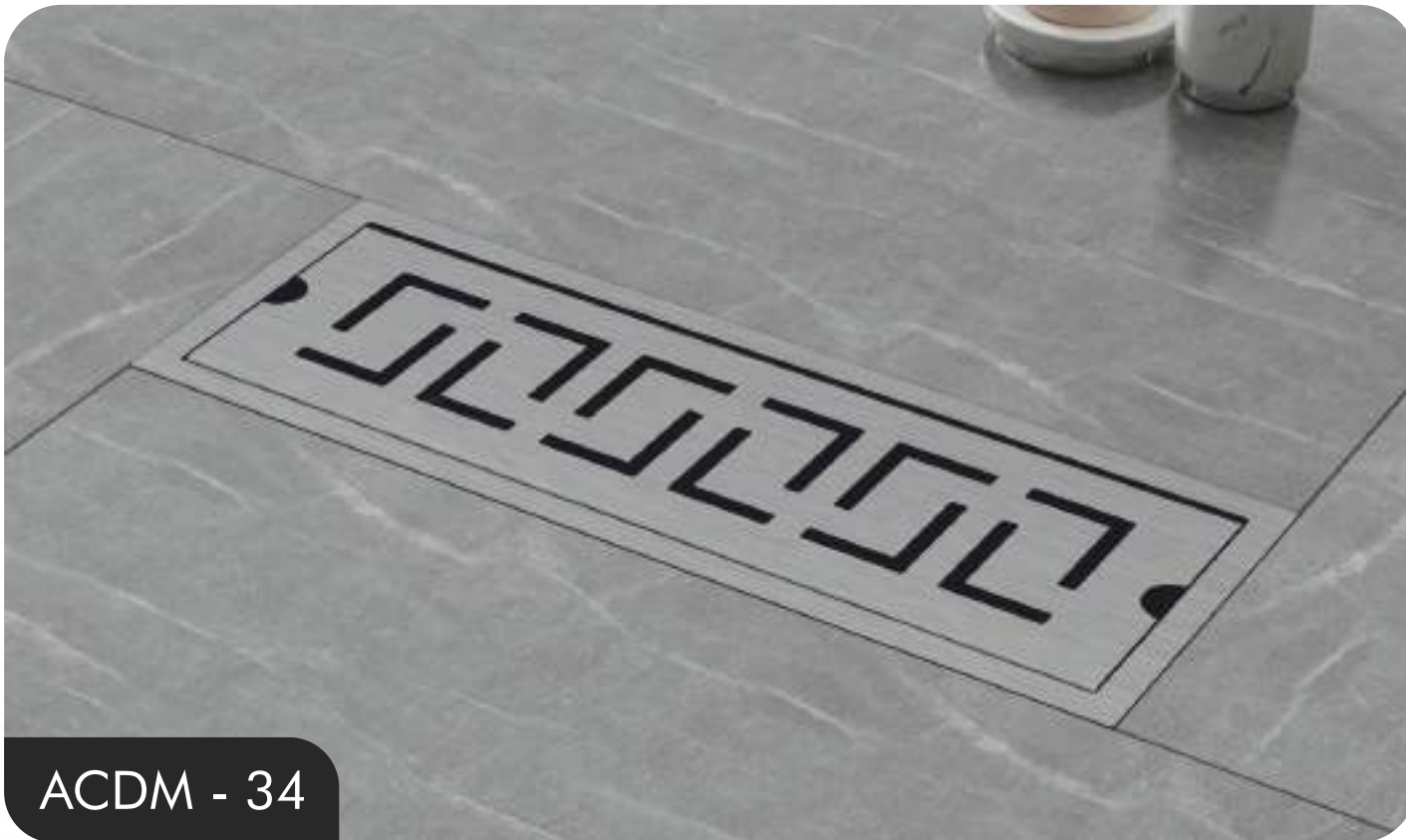


ACDRG - 33

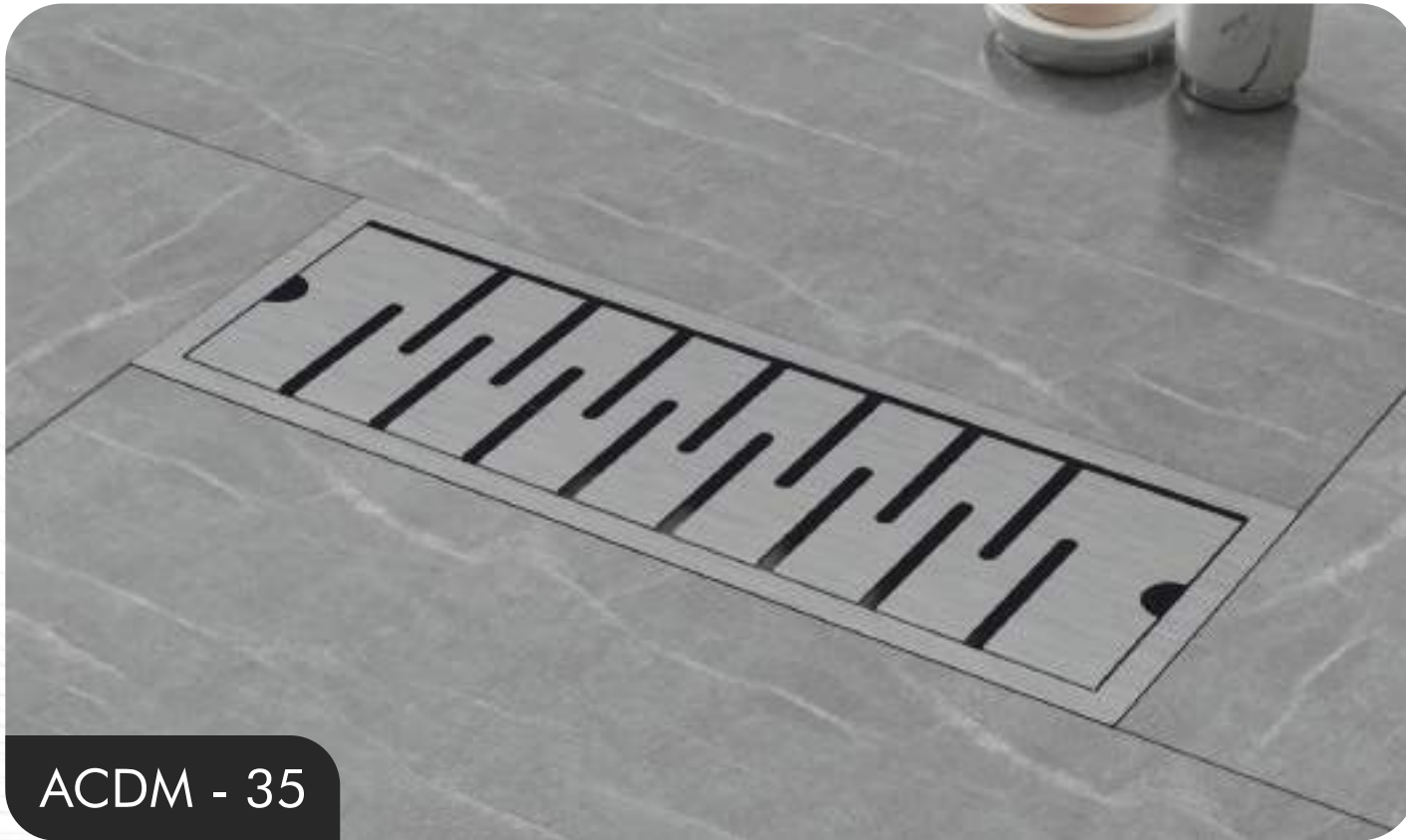


ACDB - 33

Available Size Given in Table



Available Size Given in Table



ACDM - 35



ACDG - 35

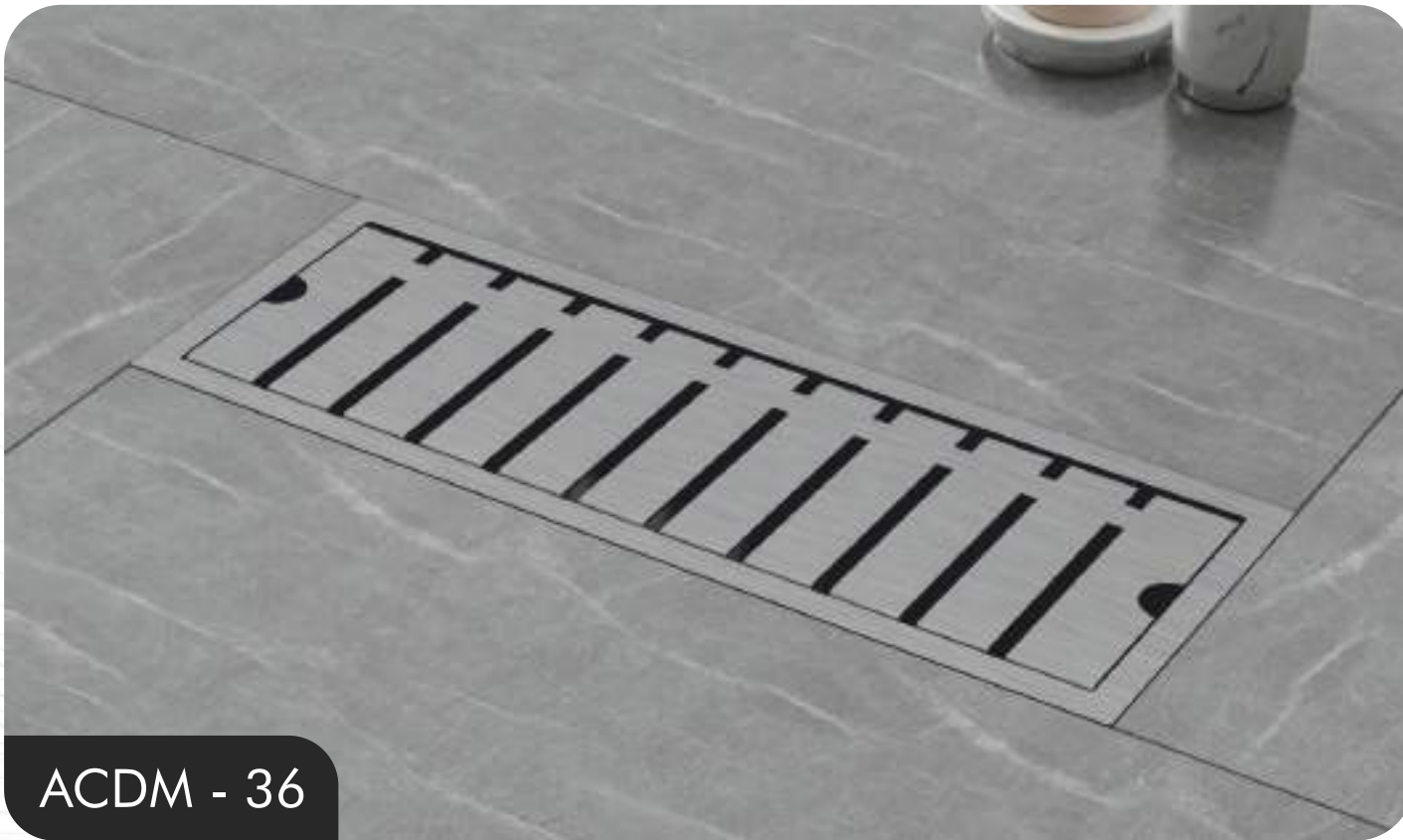


ACDRG - 35



ACDB - 35

Available Size Given in Table



Available Size Given in Table



ACDM - 37



ACDG - 37



ACDRG - 37



ACDB - 37

Available Size Given in Table



Available Size Given in Table

SPECIFICATIONS :

: Thickness :

Base : 1mm Plate : 1mm (Both can be customized)

: Drainage direction :

Side / Center (can be customized)

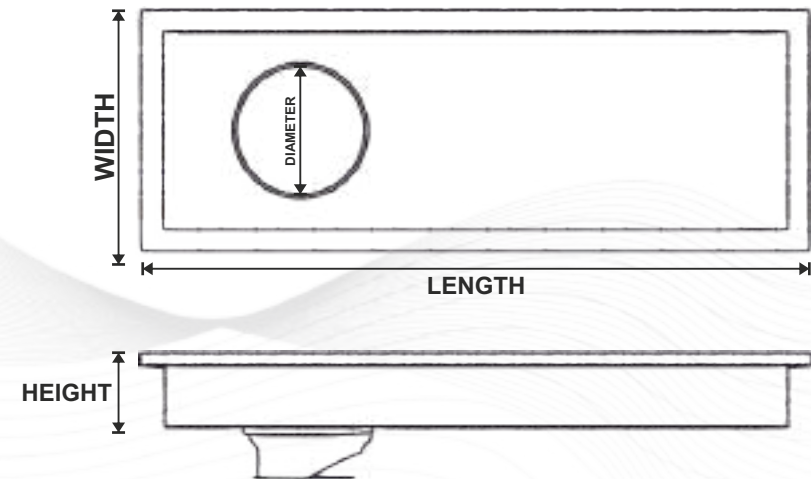
: Flow Rate :

80-100 Liters / Minute

Size		Height	Outlet Dia.	Compatible Bowl
(L x W) mm	Inch	mm	mm	mm
300 x 50	12 x 2	32	40	CT - 304
450 x 50	18 x 2	32	40	CT - 304
600 x 50	24 x 2	32	40	CT - 304
750 x 50	30 x 2	32	40	CT - 304
900 x 50	36 x 2	32	40	CT - 304
1200 x 50	48 x 2	32	40	CT - 304

Size		Height	Outlet Dia.	Compatible Bowl
(L x W) mm	Inch	mm	mm	mm
300 x 75	12 x 3	32	60	CT - 401 404
450 x 75	18 x 3	32	60	CT - 401 404
600 x 75	24 x 3	32	60	CT - 401 404
750 x 75	30 x 3	32	60	CT - 401 404
900 x 75	36 x 3	32	60	CT - 401 404
1200 x 75	48 x 3	32	60	CT - 401 404

Size		Height	Outlet Dia.	Compatible Bowl
(L x W) mm	Inch	mm	mm	mm
300 x 100	12 x 4	32	80	CT - 501 401
450 x 100	18 x 4	32	80	CT - 501 401
600 x 100	24 x 4	32	80	CT - 501 401
750 x 100	30 x 4	32	80	CT - 501 401
900 x 100	36 x 4	32	80	CT - 501 401
1200 x 100	48 x 4	32	80	CT - 501 401



Anti-Cockroach Trap



CT-401
Flip Bowl



CT-501
Flip Bowl



CT-601
Flip Bowl



CT-304
Spring Bowl



CT-404
Spring Bowl



CT-502
Double Bowl



CT-603
Inverted Bowl



 www.acuteindustries.in

 acuteindustries@gmail.com

 Rajkot, Gujarat, India